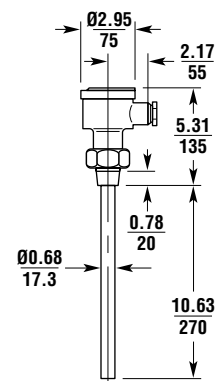


■ Sensor Specifications

Sensor – VBL-RC1	
Power Supply: 90 to 132 VAC, 180 to 264 VAC or 24 VDC	
Power Consumption: Approx. 5 VA	
Material	
Housing: Aluminum die cast (ADC)	
Vibration Probe: 304SS (316SS optional)	
Cable Entry: G1/2	
Output Contact Rating: 1 SPDT, 240 V 3A AC, 30 V 3A DC (resistive)	
Housing Protection: IP65/NEMA 7	
Bulk Density: Min 0.2 g/cm ³	
Vibration Frequency: Approx. 330 Hz	
Sensitivity	
Very High for highly fluidized powders	
High for fine powders (bulk density 0.2-0.5 g/cm ³)	
Standard for bulk density 0.5 g/cm ³ or more (factory setting)	
Low for sticky media	
Loss of Power Mode: Provided (high or low) by switch	
Detection Time Delay (field adjustable)	
Covered: 1 sec.	
Free: 5 sec.	
Operating Temperature	
	Vibration Rod Housing
VBL11	-4 to 212°F (-20 to 100°C) -4 to 176°F (-20 to 80°C)
VBL21	-4 to 212°F (-20 to 100°C) -4 to 176°F (-20 to 80°C)
VBL31	-4 to 158°F (-20 to 70°C) -4 to 176°F (-20 to 80°C)
Maximum Pressure: 290 psi (20 bar)	
Indication	
Green LED for Power status	
Red LED for Relay status	

■ Sensor Dimensions—in./mm



VBL-RC1

Vibrating Level Sensors

- Remote control system
- Up to 330 ft. (100 m) separation distance provides isolation from severe vibration or high temperature on hopper
- Patented principle and probe construction

The remote control system is available for severe vibration on hoppers or high process temperature. Model VBL-2000 remote control can be mounted up to 100 m away from the sensor, (models VBL-RC1), which is equipped with a special cable. The special two conductor shielded cable is standard at 5 m. When ordering, please specify the length. All field adjustments are made at the VBL-2000 controller.



For the Latest Information

Try Our Fax Back System at **1/916/431-6544**

On the Internet: www.stiapg.com E-mail: sales@stiapg.com

USA APG Headquarters

Logan, UT
Tel. 1/435/753-7300 1/888/525-7300

UK Sales Office

Gloucestershire
Tel. +44- (0)1453-544086

European Sales Office

Freiburg, Germany
Tel. +49-761-455 26 0

Asian Sales Office

Singapore
Tel. +65 64844001

STI Automation Products Group

www.stiapg.com



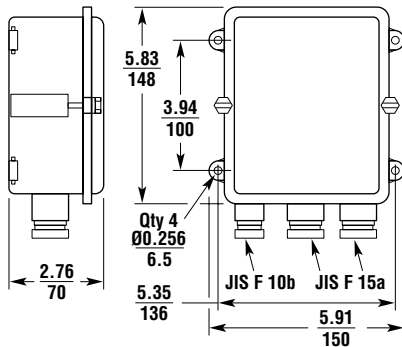


solid level sensing

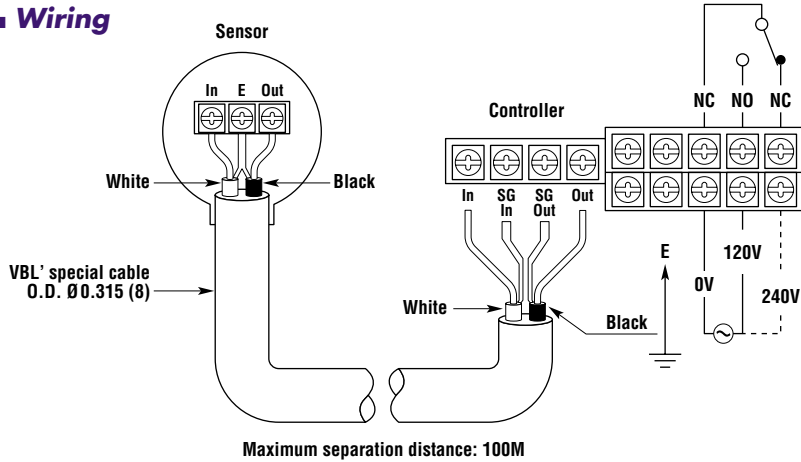
■ Controller Specifications

Controller – VBL-2000
Power Supply: 90 to 132 VAC, 180 to 264 VAC 50/60 Hz. 24 VDC (20 to 30 V) is optional; user provides isolated power
Power Consumption: Max. 5 VA
Vibration Frequency: Approx. 400 Hz
Relay Contact: 1 SPDT, 240 V 3 A AC, 30 V 3 A DC (resistive)
Cable Entries
G3/8 (JIS F 10b) for input line
G1/2 (JIS F 15a) for relay and power lines
Material: Aluminum die cast (ADC)
Enclosure Protection: IP65/NEMA 7
Bulk Density: Min. 2.0 g/cm ³
Loss of Power Mode: Provided (high or low) by switch
Detection Time Delay: 0.5 to 10 sec. (field adjustable)
Operating Temperature: -4 to 140°F (-20 to 60°C)
Indication
Green LED for Power status
Yellow LED for Detection status
Red LED for Relay status
Weight: Approx. 3.3 lb. (1.5 kg)
Separation: 16 to 330 ft. (5 to 100 m)

■ Controller Dimensions — in./mm



■ Wiring



■ Ordering Information

VBL-RC1-									
Length of vibration rod									
11	270 mm	— Compact							
21	330 to 4000 mm*	— Extension tube							
31	600 to 6000 mm	— Extension cable							
Mounting Type (see technical reference section)									
N	Plug type								
F	Flange type								
G	Flange with protective shield (Guard)								
Mounting (see technical reference section)									
0	Flat face flange								
1	Raised face flange								
4	Plug mount								
Connection details (see technical reference section for dimensions and ordering codes)									
J	JIS flange								
A	ANSI flange								
D	DIN flange								
G	G plug								
R	R plug								
T	NPT plug								
Material									
S	304SS								
S6	316SS								
Input Supply									
A	90-132/180-264 VAC								
D	24 VDC								
Cable Length									
CL	= Number of meters up to 100 m (5 m standard)								

*2500 mm max. for N mtg.

Controller: VBL-2000 **Remote control with 5 m special cable**